

CONCORDE

CONCORDE BIDET PRODUCT CODE 773701

DESCRIPTION

Vaal Sanitaryware vitreous china "Concorde" one taphole over rim water supply pedestal bidet.

SPECIFICATIONS

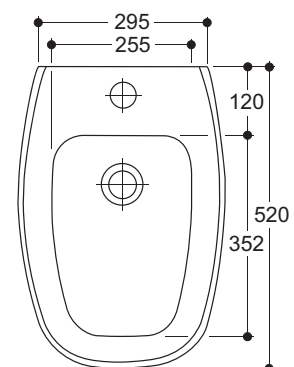
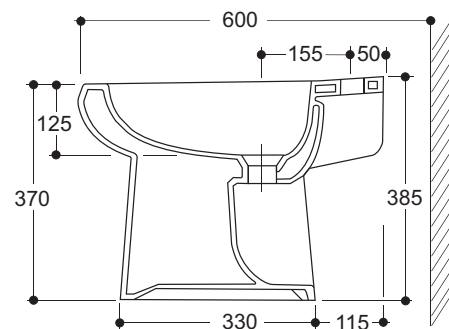
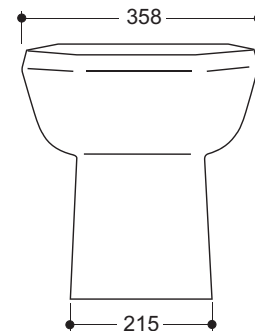
	Mass	Volume
Bidet	19,00kg	0,070m ³

INSTALLATION

After all plumbing points have been installed and wall tiling has been completed:

1. Fit mixer and waste outlet to ware, ensuring free movement of waste plug and linkage.
2. Mark the position of the bidet foot on the tiles and apply a liberal layer of silicone sealant or equivalent over the entire marked out floor area. Position the bidet and press down. Clean off excess sealant.
3. Complete water and waste connections and test to ensure installation joints are watertight.
4. Always use silicone sealant or equivalent between the pan and the finished floor surface for a secure and neat installation

NOTE: The warranty will not apply to any product installed with cement.



Vaal
SANITARYWARE