

DRIP SINK

PRODUCT CODE 238013

DESCRIPTION

Vaal Sanitaryware ceramic fireclay drip sink, 540 x 460 x 180 mm, with resin pad and c.p. bucket grating with rubber stops.

ACCESSORIES

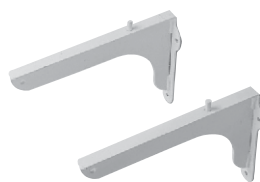
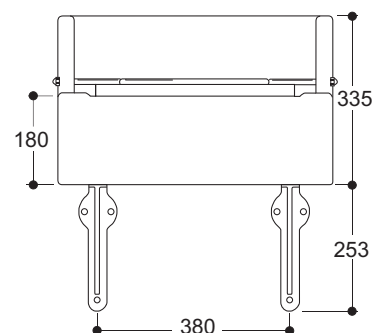
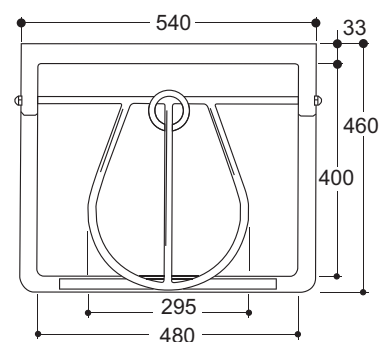
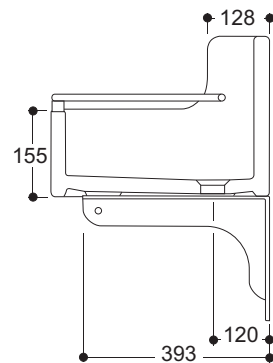
2 x Sink brackets (code 8102Z0).
38mm C.P. Waste (code 8783Z0).

SPECIFICATIONS

	Mass	Volume
Sink	38.00 kg	0.080 m ³

INSTALLATION

Position brackets and mark for fixing holes. Fix brackets to wall and place sink into position. Always use silicone sealant or equivalent between the brackets and the underside of the sink for a secure and neat installation. Complete all plumbing connections.



Sink bracket 8102Z0

Vaal
SANITARYWARE