

ENTICE

ENTICE BACK TO WALL PAN PRODUCT CODE 431800

DESCRIPTION

Vaal Sanitaryware vitreous china "Entice" 90° outlet back inlet closed rim back-to-wall pan, with quality thermoset soft-close seat and floor brackets. Can be used with a concealed cistern, Vaal Sanitaryware duct cistern (code 7116DP) or a concealed flushvalve. Flush volume 6/3 litres, subject to the pan being installed with a cistern providing an effective 6/3 litre flush volume. When used in conjunction with the Grohe concealed cisterns.

1. Flush 120 Skate Stainless steel control panel (code 431808)
2. Flush 120 Skate white control panel (code 431809).
3. Flush 120 Skate chrome control panel (code 431810)
4. Flush 120 Nova chrome control panel (code 431811)
5. Flush 120 Arena vertical chrome control panel (code 431812)
6. Flush 120 Arena horizontal chrome control panel (code 431813)

SPECIFICATIONS

	Mass	Volume
Pan	30,00kg	0,084m ³

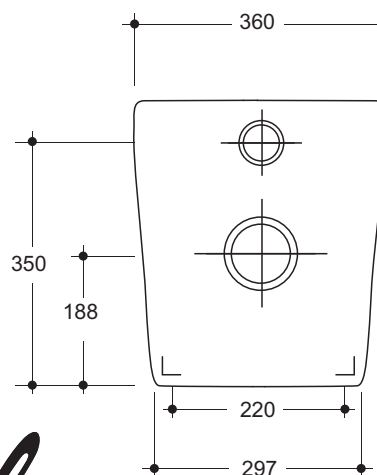
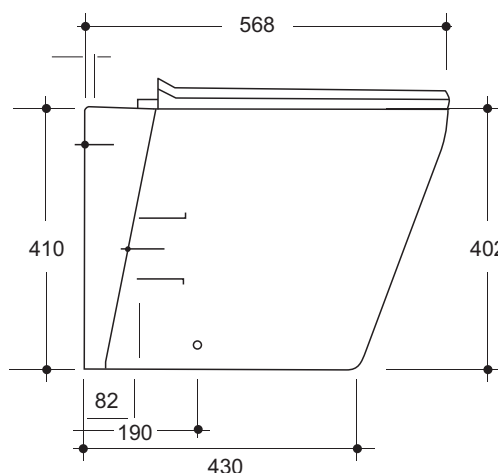
INSTALLATION

1. Prepare water inlet and outlet heights and ensure plumbing is in correct position.
2. Attach brackets to the floor. Place pan into position to ensure that brackets are in correct position. Remove pan and apply thin layer of silicone sealant to floor surface. Place pan back into position and fix screw to the bracket.
3. Flush the water line.
4. Fit double flap seat
5. Complete all plumbing connections and test flush.
6. Always use silicone sealant or equivalent between the pan and the finished floor and wall surfaces for a secure and neat installation.

NOTE: The warranty will not apply to any product installed with cement.



Pan floor fixing bracket set 8447Z0



Vaal
SANITARYWARE