

JAMES BUTLER

JAMES BUTLER SINK PRODUCT CODE 236001

DESCRIPTION

Vaal Sanitaryware vitreous china 520 x 425 x 200 mm rectangular sink without overflow, with centre back waste outlet.

ACCESSORIES

1. 90 mm basket strainer waste (code BO-WST-Strainer).

SPECIFICATIONS

	Mass	Volume
Sink	15.0 kg	0.044 m ³

INSTALLATION

Sink may be installed by alternative methods:

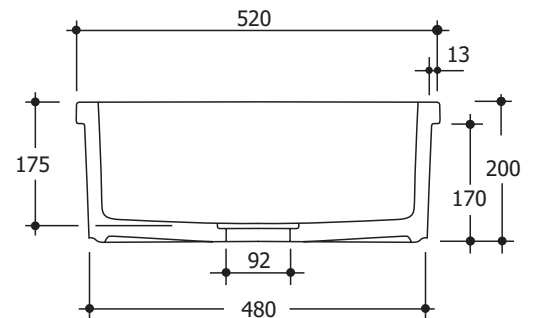
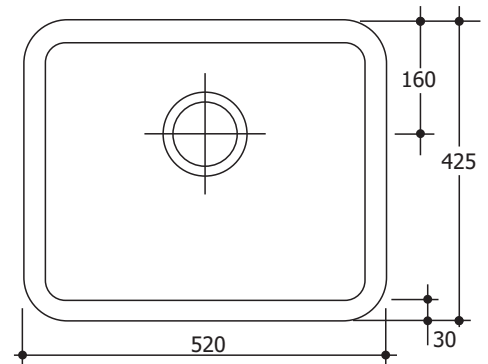
1. Mounted on top of a vanity surface
2. Mounted under a vanity surface, supported on a shelf

Option 1: Place sink on vanity surface over pre-cut outlet hole. Fit waste and fasten nut under the vanity surface.

Option 2: Position sink on supporting shelf, under rectangular cut-out of vanity slab, ensuring that overhang is evenly spaced. Apply a liberal layer of silicone sealant between the sink rim and the underside of the vanity surface. Clean off any surplus sealant.

SPECIAL RECOMMENDATION

Ensure sink is adequately sealed so as to prevent seepage into area below vanity slab



90 mm basket strainer waste (code BO-WST-Strainer)