

# LAB SINK 435

**LABORATORY SINK**  
PRODUCT CODE 234500

## DESCRIPTION

Vaal Sanitaryware fine fireclay 435 x 335 x 180 mm rectangular laboratory sink without overflow with a centre end waste outlet.

## ACCESSORIES

1. 38mm Acid resistant waste (code 8790Z0).
2. 32mm Chrome plated waste (code 8794Z0)

## SPECIFICATIONS

	Mass	Volume
Code 234500	11.00 kg	0.035 m <sup>3</sup>

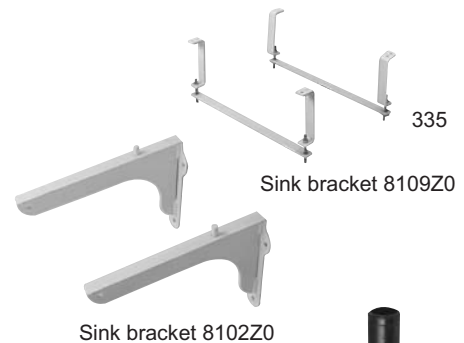
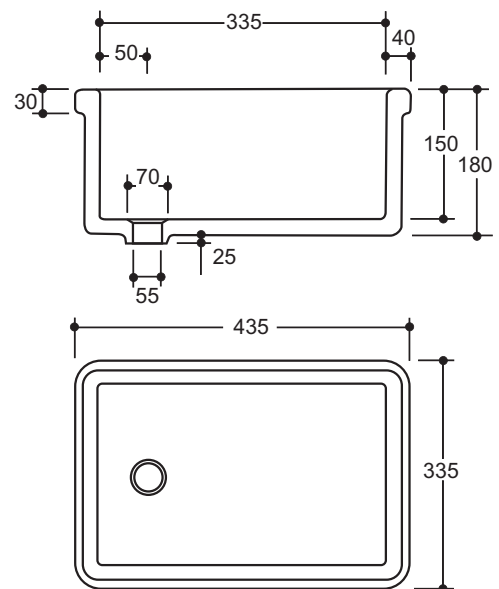
## INSTALLATION

Sink may be installed by alternative methods:

1. Fitted to the wall on two semi-concealed brackets (code 8102Z0)  
OR
2. Fixed underneath a slab using two adjustable underslung brackets (code 8109Z0)

**Option 1:** Position brackets and mark fixing holes. Fix brackets to wall and place sink into position. Always use silicone sealant or equivalent between the brackets and the underside of the sink for a secure and neat installation.

**Option 2:** Position sink under rectangular cut-out of slab ensuring that overhang is even all round ( $\pm 10$  mm). With sink correctly positioned, mark hole positions of brackets. Remove sink and drill previously marked bracket screw holes. Attach bracket to slab. Apply a liberal layer of silicone sealant or equivalent to contact area of sink rim and slab. Tighten securing stud so as to ensure a watertight seal between sink and underside of slab. Wipe off excess sealant and allow to dry.



**Vaal**  
SANITARYWARE