

PARKTOWN

PARKTOWN BACK TO WALL PAN PRODUCT CODE 431500/431600

DESCRIPTION

Vaal Sanitaryware vitreous china "Parktown" 90° outlet top inlet (code 431500) or back inlet (code 431600) closed rim back-to-wall pan. Top inlet can be used with an exposed flushvalve. Back inlet can be used with a concealed cistern, Vaal Sanitaryware duct cistern (code 7116DP) or a concealed flushvalve. Flush volume 6/3 litres, subject to the pan being installed with a cistern providing an effective 6/3 litre flush volume.

When used in conjunction with the Grohe concealed cisterns

1. Flush 120 Skate Stainless steel control panel (code 431608)
2. Flush 120 Skate white control panel (code 431609)
3. Flush 120 Skate chrome control panel (code 431610)
4. Flush 120 Nova chrome control panel (code 431611)
5. Flush 120 Arena vertical chrome control panel (code 431612)
6. Flush 120 Arena horizontal chrome control panel (code 431613)

RECOMMENDED ACCESSORIES

1. Flushmaster FJ2.000, with pan connector C-FM8.20 and offset flushpipe FJT5.7, or FM 1.210 or equivalent for top entry pan.
2. DPI Flushfit, Marley SG47 pan collar or equivalent.
3. Jazz thermostet toilet seat (code 8531Z0)
4. Wall fixing screws (code 8513Z0)

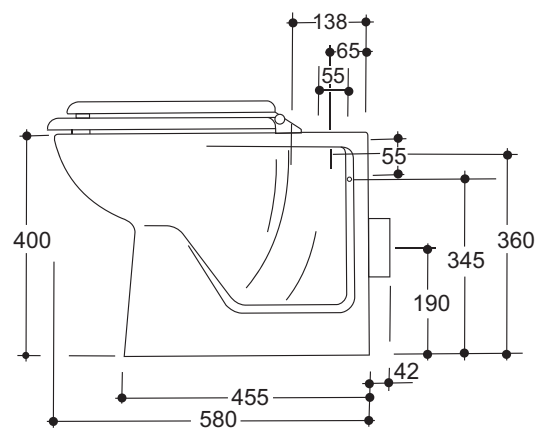
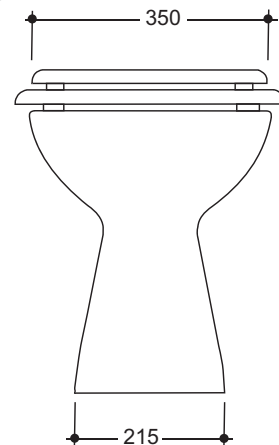
SPECIFICATIONS

	Mass	Volume
Pan	16.00kg	0.080m ³

INSTALLATION

1. Ensure plumbing is in correct position.
2. Place pan into position and mark hole positions on the wall. Remove pan and drill holes. Place pan back into position, fix screw to the wall and secure.
3. Flush the water line.
4. Complete all plumbing connections and test flush.
5. Always use silicone sealant or equivalent between the pan and the finished floor and wall surfaces for a secure and neat installation.

NOTE: The warranty will not apply to any product installed with cement.



Vaal
SANITARYWARE